

BVS-131TC三片式卡箍型潔淨球閥

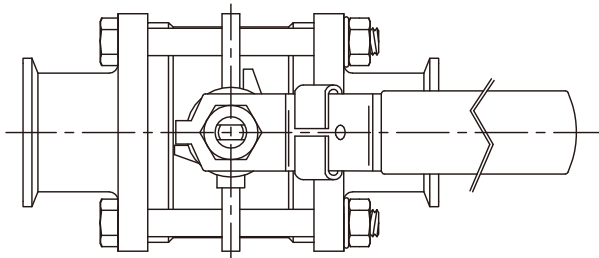
產品特徵：

SPECIFICATIONS

- *公稱壓力：1/2" ~2" 60kgf/cm²
2-1/2" ~4" 56kgf/cm²
- Working Pressure: 1/2" ~2" 1000PSI WOG
2-1/2" ~4" 800PSI WOG
- *適用溫度範圍：-20 ~ 180°C
Temperature Range: -20 ~ 180°C
- *連接形式：卡箍(3A)
End Types: T-Clamp End(3A)
- *掛鎖裝置 (可選)
Locking Device (option)

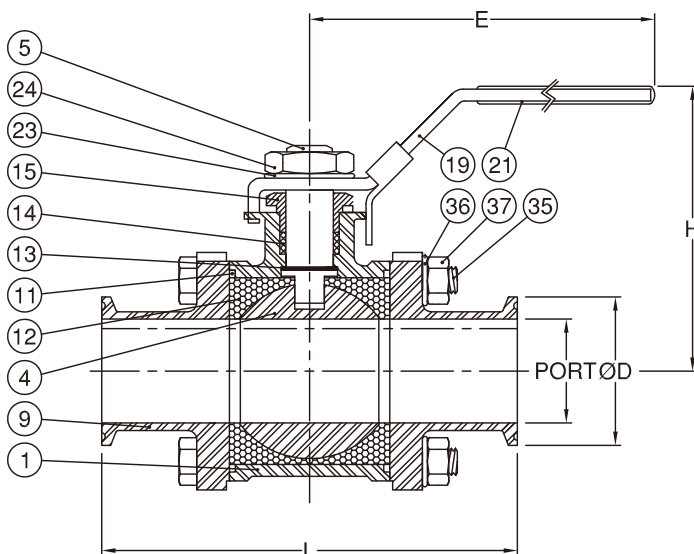


型號：BVS-131TC



MATERIALS LIST

NO.	PART NAME	MATERIAL
1	BODY	ASTM A351 Gr.CF8M
4	BALL	ASTM A351 Gr.CF8M
5	STEM	SS316
9	END CAP	ASTM A351 Gr.CF8M
11	BODY SEAL	PTFE.
12	SEAT	PTFE.
13	THRUST WASHER	PTFE.
14	STEM PACKING	PTFE.
15	GLAND	SS304
19	HANDLE	SS304
21	HANDLE COVER	PLASTIC
23	HANDLE WASHER	SS304
24	HANDLE NUT	SS304
35	BODY BOLT	SS304
36	BOLT WASHER	SS304
37	BOLT NUT	SS304



DIMENSIONS

SIZE	PORT	L	E	H	unit:mm	
					ØD	
DN15	1/2"	9.5	89.0	106.0	52.0	25.4
DN20	3/4"	15.9	101.0	106.0	55.0	25.4
DN25	1"	22.2	114.0	135.0	70.0	50.4
DN40	1-1/2"	35.0	140.0	182.0	89.0	50.4
DN50	2"	47.6	156.0	182.0	97.0	63.6
DN65	2-1/2"	60.2	197.0	263.0	140.0	77.5
DN80	3"	73.0	229.0	263.0	152.0	90.8
DN100	4"	97.4	241.0	285.0	184.0	118.5

BVS-131EB三片式焊接型潔淨球閥

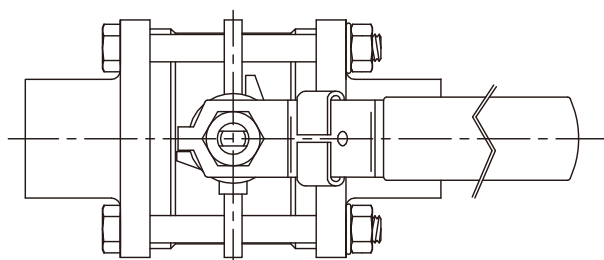
產品特徵：

SPECIFICATIONS

- *公稱壓力：1/2" ~2" 60kgf/cm²
2-1/2" ~4" 56kgf/cm²
- Working Pressure: 1/2" ~2" 1000PSI WOG
2-1/2" ~4" 800PSI WOG
- *適用溫度範圍：-20 ~ 180°C
Temperature Range: -20 ~ 180°C
- *連接形式：焊接 (3A)
End Types: Tube End(3A)
- *掛鎖裝置 (可選)
Locking Device (option)

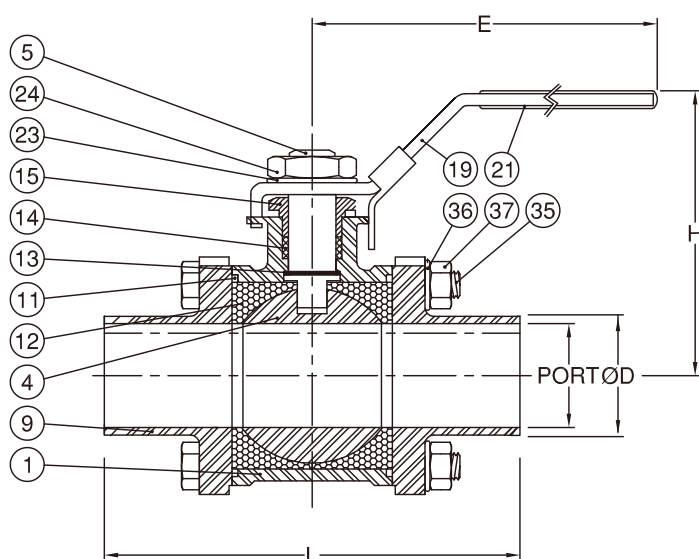


型號：BVS-131EB



MATERIALS LIST

NO.	PART NAME	MATERIAL
1	BODY	ASTM A351 Gr.CF8M
4	BALL	ASTM A351 Gr.CF8M
5	STEM	SS316
9	END CAP	ASTM A351 Gr.CF8M
11	BODY SEAL	PTFE.
12	SEAT	PTFE.
13	THRUST WASHER	PTFE.
14	STEM PACKING	PTFE.
15	GLAND	SS304
19	HANDLE	SS304
21	HANDLE COVER	PLASTIC
23	HANDLE WASHER	SS304
24	HANDLE NUT	SS304
35	BODY BOLT	SS304
36	BOLT WASHER	SS304
37	BOLT NUT	SS304



DIMENSIONS

SIZE		PORT	L	E	H	ØD
DN15	1/2"	9.5	89.0	106.0	52.0	12.7
DN20	3/4"	15.9	101.0	106.0	55.0	19.1
DN25	1"	22.2	114.0	135.0	70.0	25.4
DN40	1-1/2"	35.0	140.0	182.0	89.0	38.1
DN50	2"	47.6	156.0	182.0	97.0	50.4
DN65	2-1/2"	60.2	197.0	263.0	140.0	63.4
DN80	3"	73.0	229.0	263.0	152.0	76.2
DN100	4"	97.4	241.0	285.0	184.0	101.6

unit:mm