

BVRS-4DTC 四通高平臺潔淨球閥

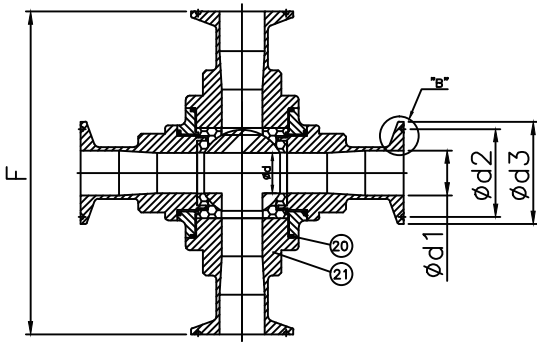
產品特徵：

SPECIFICATIONS

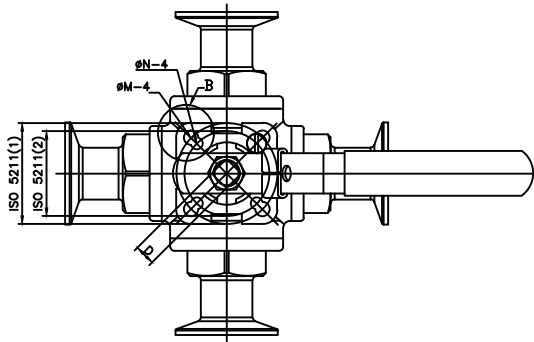
- *公稱壓力：1/2" ~2" 56kgf/cm²
Working Pressure: 1/2" ~2" 800PSI WOG
- *適用溫度範圍：-20 ~ 180°C
Temperature Range: -20 ~ 180°C
- *連接形式：卡箍(3A)
End Types: T-Clamp End(3A)
- *掛鎖裝置 (可選)
Locking Device (option)



型號：BVRS-4DTC



PORT TYPE	1	2	3	4
T				
L				
X				



1/2"~1"



B (2:1)

1 1/2"~2"



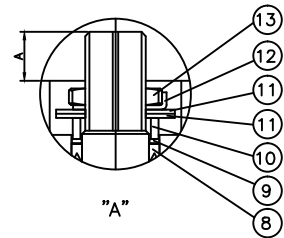
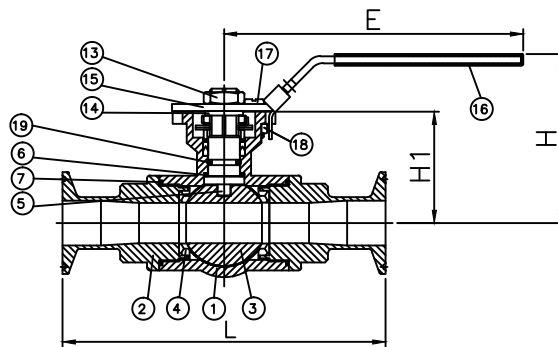
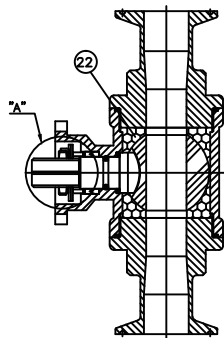
B (2:1)



"B" 1"~2"



"B" 1/2"~3/4"



BVRS-4DTC 四通高平臺潔淨球閥

MATERIAL LIST

NO	PART NAME	MATERIAL	QTY
1	BODY	ASTM A351 Gr.CF8M	1
2	CAP	ASTM A351 Gr.CF8M	2
3	BALL	ASTM A351 Gr.CF8M	1
4	BALL SEATS	PTFE	2/1SETS
5	STEM	S.S.316	1
6	THRUST WASHER	PTFE	1
7	END SEALS	PTFE	2/1 SETS
8	STEM PACKING	PTFE	1SETS
9	THRUST WASHER	TFM1600	1
10	GLAND BUSH	S.S.304	1
11	BELLEVILLE WASHER	SUS304-CSP	2
12	STOP	S.S.304	1
13	HANDLE NUT	S.S.304	2
14	WASHER	S.S.304	1
15	HANDLE	S.S.304	1
16	HANDLE SLEEVE	VINYL GRIP	1
17	LEVER STOP	S.S.304	1
18	LEVER STOP NUT	S.S.304	1
19	O-RING	VITON	1
20	END SEALS	PTFE	2/1 SETS
21	CAP	ASTM A351 Gr.CF8M	2
22	BALL SEATS	PTFE	2/1SETS

DIMENSIONS

SIZE	d	d1	d2	d3	L	H	D	F	A	N	M	E	H1	ISO 5211	
														(1)	(2)
1/2"	12.5	9.4	20.32	25	133	69	9	134	8.2	6	6	132	36.8	F04 42	F03 36
3/4"	12.5	15.75	20.32	25	142	69	9	142	8.2	6	6	132	36.8	F04 42	F36 36
1"	20	22.1	43.64	50.4	160	94	11	160	11.5	6	7	184	55.1	F05 50	F04 42
1 1/2"	32	34.8	43.64	50.4	182	114	14	182	15.1	7	9	227	75.2	F07 70	F05 50
2"	38	47.5	56.34	64	216	124	14	216	15.1	7	9	227	84.4	F07 70	F05 50