

BVR-3T三通縮徑不銹鋼球閥

產品特徵：

SPECIFICATIONS

- *公稱壓力：1/4" ~2" 1000PSI WOG
Working Pressure: 1/4" ~2" 1000PSI WOG
- *適用溫度範圍：-20 ~ 180°C
Temperature Range: -20 ~ 180°C
- *防爆中軸 Blow-Out-Proof Stem Design
- *精密鑄造 Investment Casting
- *固溶化處理 Solution Treatment
- *防靜電裝置 Antistatic Device
- *四閥座 Four Seats
- *連接形式：內螺紋
End Types: Female Threaded
- *掛鎖裝置 (可選) Locking Device (option)
- *減流量 Reduced Bore

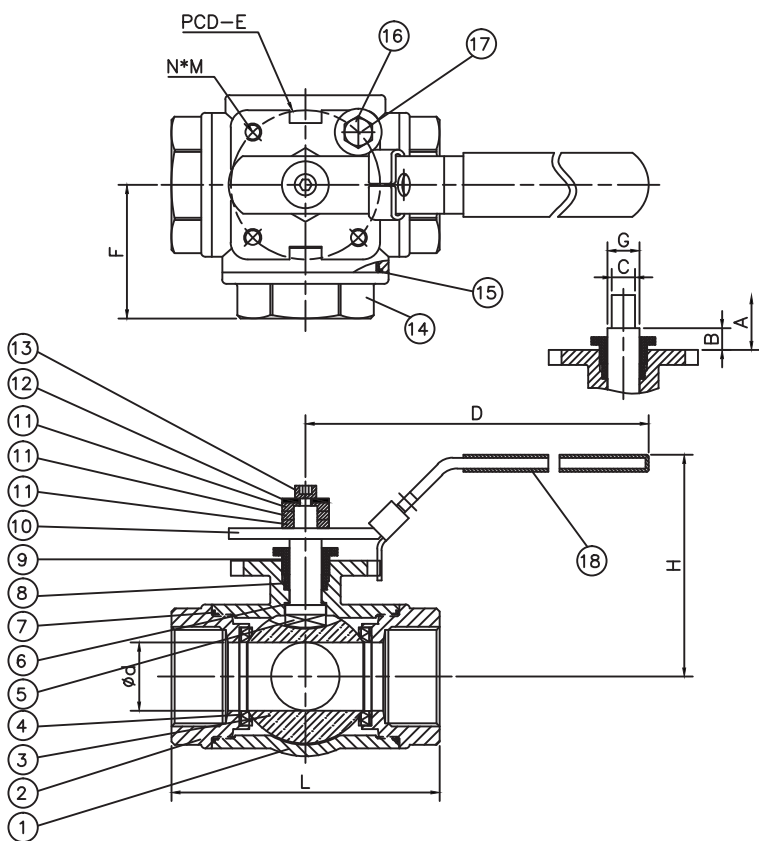


型號：BVR-3T

PORT TYPE	1	2	3	4
T				
L				

MATERIALS LIST

NO	PART NAME	MATERIAL
1	BODY	ASTM A351 Gr.CF8M
2	CAP	ASTM A351 Gr.CF8M
3	BALL	ASTM A351 Gr.CF8M
4	BALL SEATS	PTFE
5	STEM	S.S.316
6	THRUST WASHER	PTFE
7	END SEALS	PTFE
8	STEM PACKING	PTFE
9	GLAND	S.S.304
10	HANDLE	S.S.304
11	WASHER	S.S.304
12	WASHER	S.S.304
13	HANDLE NUT	S.S.304
14	CAP	ASTM A351 Gr.CF8M
15	END SEALS	PTFE
16	STOPPER	S.S.304
17	SCREW	S.S.304
18	HANDLE SLEEVE	VINYL GRIP



DIMENSIONS

Unit:mm

SIZE	d	L	H	D	F	A	B	C	N	M	E	G	W (kgf/cm)
1/4"	11	69.3	58	132	34.7	10.35	5.35	9	4	M5*0.8	42	12	33
3/8"	11	69.3	58	132	34.7	10.35	5.35	9	4	M5*0.8	42	12	33
1/2"	12.5	75.7	61	132	38.3	10.35	5.35	9	4	M5*0.8	42	12	33
3/4"	16	86.6	82	180	44.7	13.85	6.85	11	4	M6*1.0	50	15	50
1"	20	103	87.5	180	50.8	20	8.5	11	4	M6*1.0	50	15	90
1 1/4"	25	118.2	93	180	57.7	19.35	7.85	11	4	M6*1.0	50	15	170
1 1/2"	32	125.8	104	210	62.6	25.75	10.25	11	4	M8*1.25	70	15	220
2"	38	149	112	225	74.3	25.25	9.75	14	4	M8*1.25	70	18.5	380