

BVR-111T一片式縮徑不銹鋼螺紋球閥

產品特徵：

SPECIFICATIONS

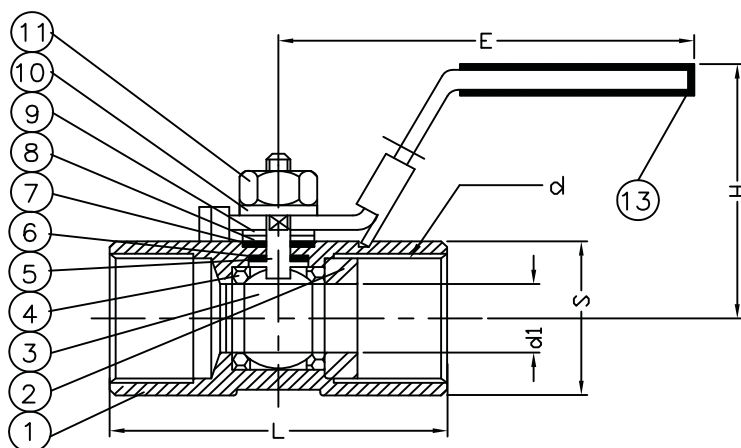
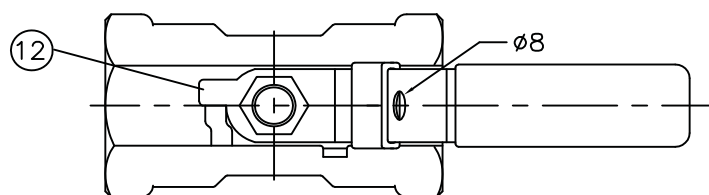
- *公稱壓力：1000PSI WOG
Working Pressure: 1000PSI WOG
- *適用溫度範圍：-20~150°C
Temperature Range:-20~150°C
- *防爆中軸 Blow-Out-Proof Stem Design
- *精密鑄造 Investment Casting
- *固溶化處理 Solution Treatment
- *連接形式：內螺紋
End Types: Female Threaded
- *減流量 Reduced Bore



型號：BVR-111T

MATERIALS LIST

ITEM	零件名稱PART NAME	材質MATERIAL
1	閥體BODY	SUS316
2	閥蓋CAP	SUS316
3	鋼球BALL	SUS316
4	閥座SEAT	PTFE
5	中軸STEM	SUS316
6	止推墊圈THRUST WASHER	PTFE
7	中口STEM PASHER	PTFE
8	中口墊片GLAND WASHER	SUS304
9	中口墊片GLAND WASHER	SUS304
10	墊圈STEM NUT	SUS304
11	螺母NUT	SUS304
12	手柄HANDLE	SUS304
13	手柄膠套HANDLE SLEEVE	VINYL GRIP



DIMENSIONS

SIZE	d	d1	L	H	E	S	Unit:mm
1/4"	1/4"-PT-NPT	5	39	35	69	17	
3/8"	3/8"-PT-NPT	7.2	44	36	79	21	
1/2"	1/2"-PT-NPT	9.2	56.5	40	109	25	
3/4"	3/4"-PT-NPT	12.5	59	42	109	32	
1"	1"-PT-NPT	15	71	47	102	38	
1-1/4"	1-1/4"-PT-NPT	20	78	58	105	48	
1-1/2"	1-1/2"-PT-NPT	25	82	62	146	53	
2"	2"-PT-NPT	32	100	67	155	64	