

BVR-111DT一片式縮徑不銹鋼螺紋球閥

產品特徵：

SPECIFICATIONS

*公稱壓力：1000PSI WOG

Working Pressure: 1000PSI WOG

*適用溫度範圍：-20~150°C

Temperature Range: -20~150°C

*ISO5211直接安裝執行機構平臺設計

ISO5211 Direct-Mounting of Actuators of Valves Design

*防靜電裝置 Antistatic Device

*固溶化處理 Solution Treatment

*精密鑄造 Investment Casting

*連接形式：內螺紋

End Types: Female Threaded

*減流量 Reduced Bore

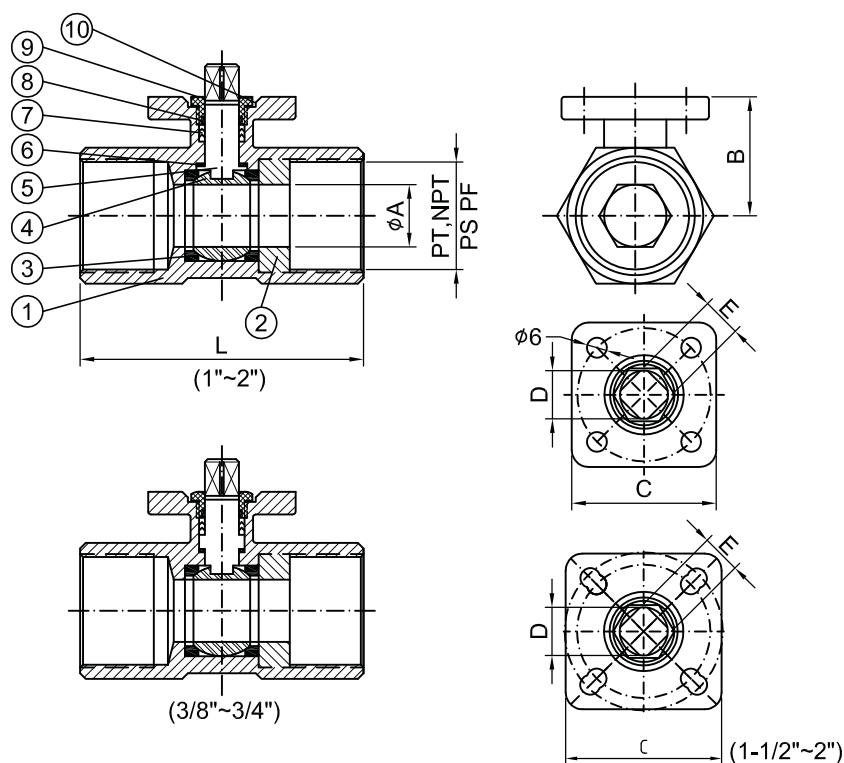
驅動方式：可裝配氣動執行器和電動執行器



型號：BVR-111DT

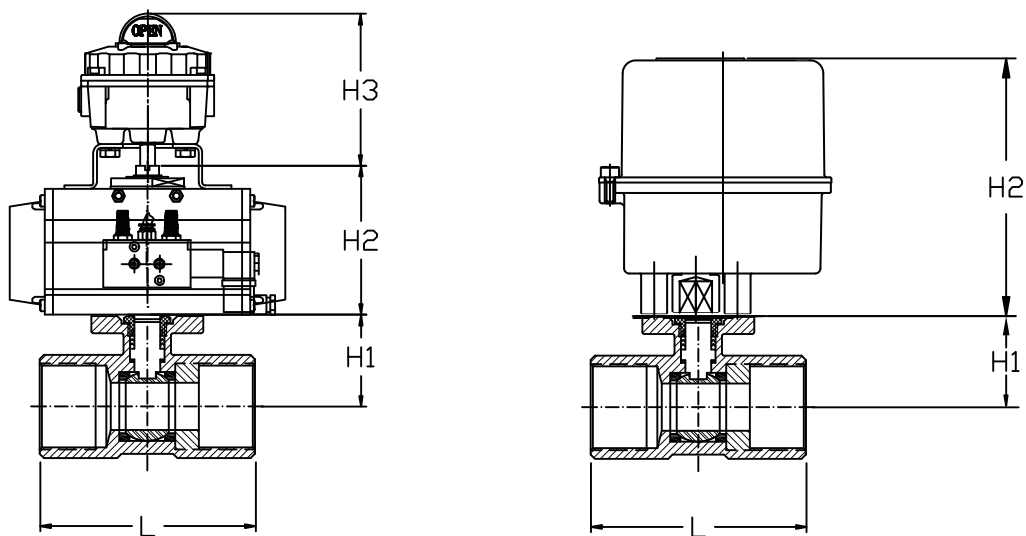
MATERIALS LIST

ITEM	零件名稱PART NAME	材質MATERIAL
1	BODY	CF8M
2	CAP	CF8M
3	SEAT	TEFLON
4	BALL	CF8M
5	STEM	SUS316
6	GASKET	TEFLON
7	SEAL	PTFE
8	GLAND BUSH	TEFLON
9	GLAND NUT	SUS304
10	BOLT	SUS304



DIMENSIONS

SIZE	Unit:mm										
	A	B	C	D	E	L	ISO5211	PT	NPT	PS	PF
3/8"	7.0	23	36	11	9	45	F03	3/8"			牙式
1/2"	10.0	25	36	11	9	50	F03	1/2"			牙式
3/4"	12.5	32	36	11	9	60	F03	3/4"			牙式
1"	15.0	35	36	11	9	73	F03	1"			牙式
1-1/4"	20.0	38	36	11	9	78	F03	1-1/4"			牙式
1-1/2"	25.0	42	50	14	11	90	F04/F05	1-1/2"			牙式
2"	32.0	50	50	14	11	100	F04/F05	2"			牙式



BVR-111DT控制球閥配置及安裝尺寸表

Unit: mm

SIZE	L	H1	H2										H3		
			Double Acting Actuator						Spring Return Actuator				Electric Actuator		Limit Switch
			4KG		5KG		6KG		5KG		6KG		Model		
			Model		Model		Model		Model		Model		Model		ITS100/300
3/8"	45	23	32DA	72	32DA	72	32DA	72	40SR-02	75	40SR-02	75	ITQ20	97.5	121/149
1/2"	50	25	32DA	72	32DA	72	32DA	72	40SR-02	75	40SR-02	75	ITQ20	97.5	121/149
3/4"	60	32	50DA	92	40DA	75	40DA	75	50SR-10	92	50SR-12	92	ITQ20	97.5	121/149
1"	73	35	63DA	108	50DA	92	50DA	92	63SR-10	108	63SR-12	108	ITQ20	97.5	121/149
1-1/4"	78	38	63DA	108	63DA	108	63DA	108	75SR-10	125	75SR-12	125	ITQ40	129	121/149
1-1/2"	90	42	75DA	125	63DA	108	63DA	108	75SR-10	125	75SR-12	125	ITQ40	129	121/149
2"	100	50	75DA	125	63DA	108	63DA	108	75SR-10	125	75SR-12	125	ITQ40	129	121/149