

BV5-4DT-A不鏽鋼四通球閥

產品特徵：

SPECIFICATIONS

- *公稱壓力：1/2" ~4" 800PSI WOG
Working Pressure: 1/2" ~4" 800PSI WOG
- *適用溫度範圍：-20 ~ 180°C
Temperature Range: -20 ~ 180°C
- *防爆中軸 Blow-Out-Proof Stem Design
- *ISO5211直接安裝執行器安裝平台設計
ISO5211 Direct-Mounting of Actuators of Valves Design
- *掛鎖裝置 (可選)
Locking Device (option)
- *全流量 Full port
- *5組閥座設計 5 Seats Design
- *連接形式：內螺紋
End Types: Female Threaded

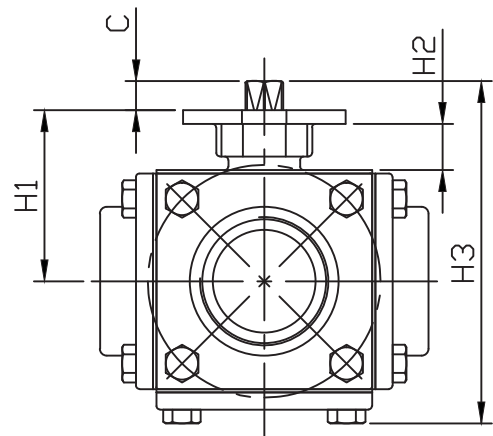
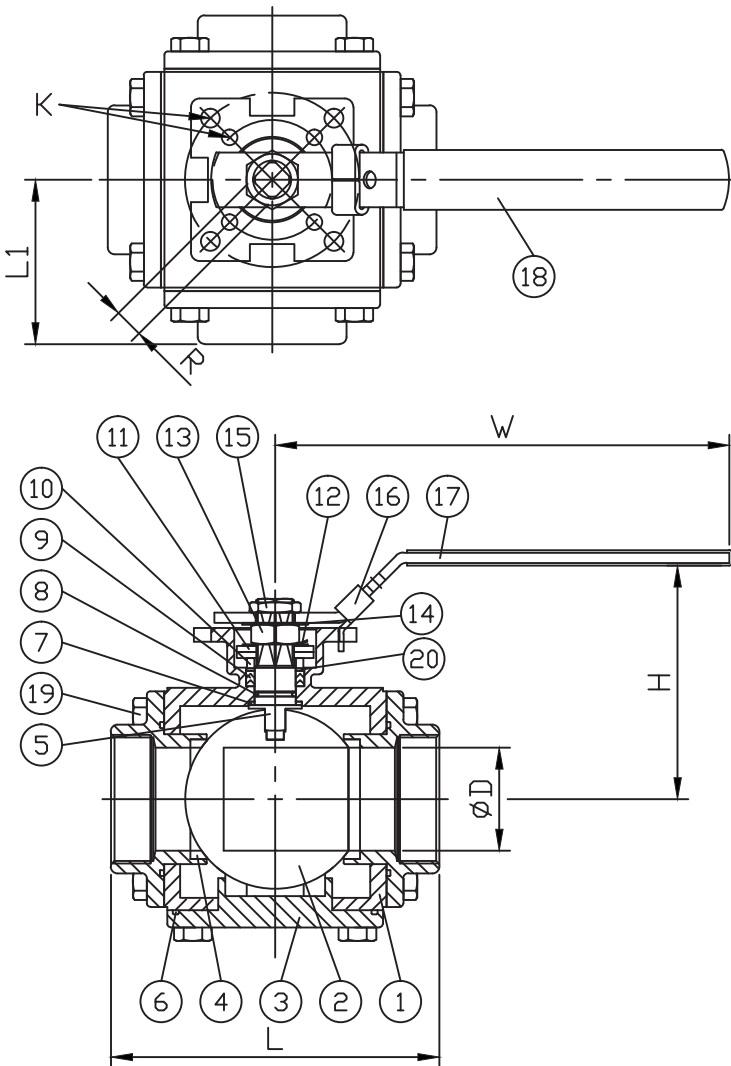
驅動方式：可裝配氣動執行器和電動執行器配置表

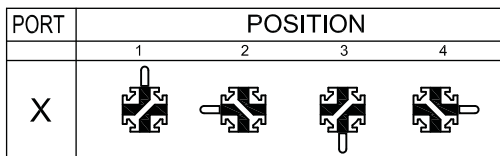
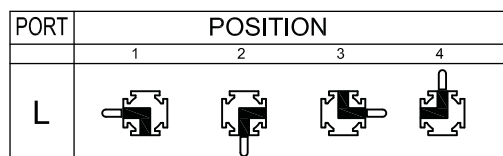
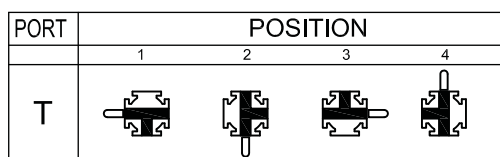
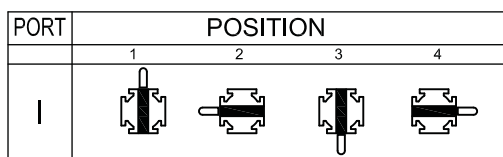


型號：BV5-4DT-A

MATERIAL LIST

NO.	DESCRIPTION	QTY	MATERIAL	
1	BODY	1	ASTM-A351-CF8M	ASTM-A216-WCB
2	BALL	1	ASTM-A351-CF8M	ASTM-A351-CF8
3	CAP	5	ASTM-A351-CF8M	ASTM-A216-WCB
4	SEAT	5	PTFE	PTFE
5	STEM	1	SUS 316	SUS 304
6	JOINT GASKET	5	VITON	VITON
7	THRUST WASHER	1	PTFE	PTFE
8	O-RING OF STEM	1	VITON	VITON
9	STEM PACKING	1	PTFE	PTFE
10	GLAND BUSH	1	SUS 304	SUS 304
11	BELLEVILLE WASHER	2	SUS 301	SUS 301
12	STOP WASHER	1	SUS 304	SUS 304
13	STEM NUT	1	SUS 304	SUS 304
14	SQUARE WASHER	1	SUS 304	SUS 304
15	HANDLE NUT	1	SUS 304	SUS 304
16	LOCKING PAD	1	SUS 304	SUS 304
17	HANDLE	1	SUS 304	SUS 304
18	HANDLE COVER	1	PLASTIC	PLASTIC
19	BOLT	20	SUS 304	SUS 304
20	THRUST WASHER	1	PTFE 15%	PTFE 15%

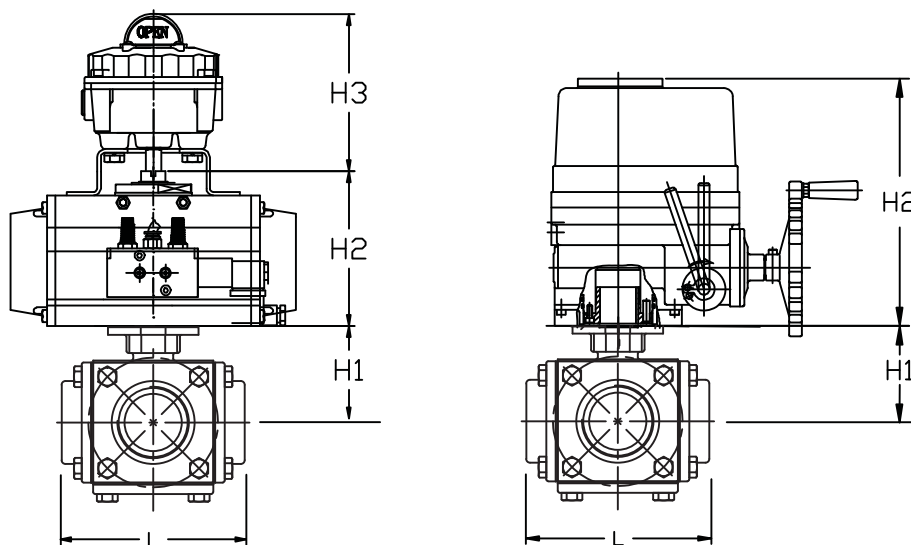




DIMENSION

UNIT:MM

SIZE	C	ØD	H	H1	H2	H3	K	L	L1	R	W
1/2"	9	12.5	82	48	18.5	87.5	F03/F04	87	43.5	9	135
3/4"	9	15.8	87	53	20	95	F03/F04	100	50	9	135
1"	11	22.2	97	63	23	112	F04/F05	117	58.5	11	200
1-1/2"	14	35	110.5	75.5	23.5	146	F05/F07	150	75	14	220
2"	14	47.5	118	83	21	168	F05/F07	180	90	14	240
2-1/2"	17	60.2	135	100	27	200	F07/F10	192	96	17	300
3"	17	73	160	125	37.5	240	F07/F10	222	111	17	300
4"	22	80	184	135	38.5	267	F10/F12	272	136	22	360



BV5-4DT-A控制球閥配置及安裝尺寸表

Unit: mm

SIZE	L	H1	H2										H3		
			Double Acting Actuator						Spring Return Actuator				Electric Actuator		Limit Switch
			4KG		5KG		6KG		5KG		6KG		Model		
			Model		Model		Model		Model		Model		Model		
1/2"	87	48	50DA	92	50DA	92	40DA	75	63SR-10	108	50SR-12	92	ITQ80	118	121/149
3/4"	100	53	63DA	108	63DA	108	63DA	108	75SR-10	125	75SR-12	125	ITQ80	118	121/149
1"	117	63	75DA	125	75DA	125	75DA	125	85SR-09	138	85SR-11	138	ITQ80	118	121/149
1-1/2"	150	75.5	100DA	151	85DA	138	85DA	138	115SR-10	175	100SR-12	151	ITQ80	118	121/149
2"	180	83	115DA	175	100DA	151	100D	151	115SR-10	175	115SR-12	175	ITQ160	259	121/149
2-1/2"	192	100	115DA	175	115DA	175	100D	151	145SR-10	209	125SR-12	190	ITQ160	259	121/149
3"	222	125	145DA	209.5	125DA	190	115D	175	160SR-10	230	145SR-12	209.5	ITQ240	259	121/149
4"	272	135	145DA	209.5	145DA	209.5	125D	190	160SR-10	230	160SR-12	230	ITQ350	288	121/149