

BV4B-(3)4DF-A-PN16 三四通高平台法蘭球閥

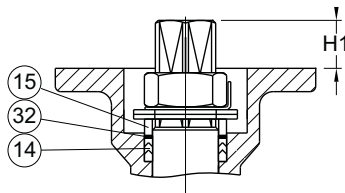
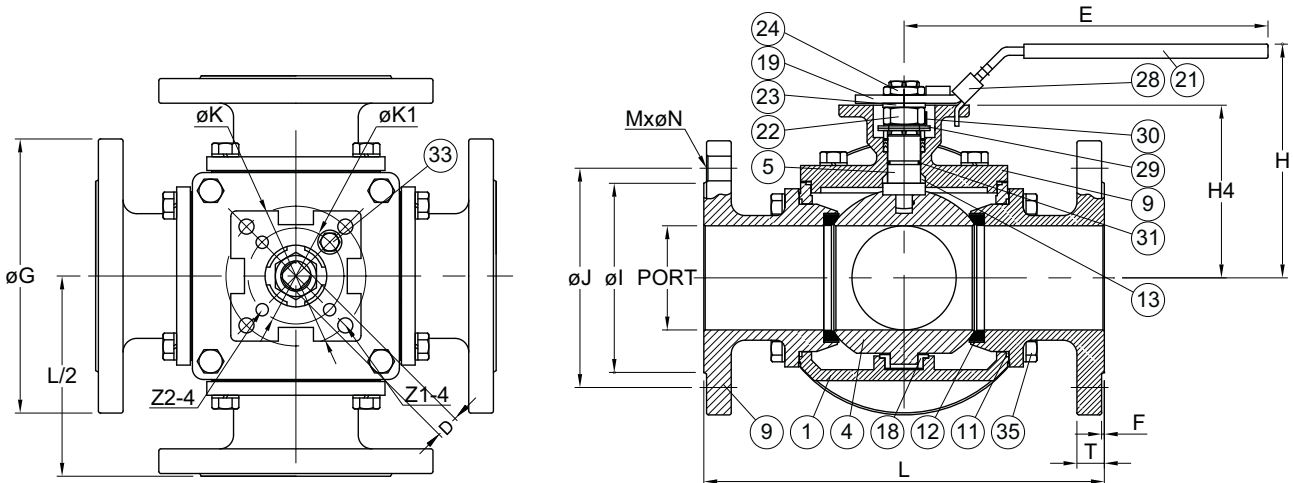
產品特征：

SPECIFICATIONS

- *公稱壓力：1/2" ~10" PN16
Working Pressure: 1/2" ~10" PN16
- *適用溫度範圍：-20 ~ 232°C
Temperature Range: -20 ~ 232°C
- *防爆中軸 Blow-Out-Proof Stem Design
- *ISO5211安裝執行器平台設計
ISO5211 Direct-Mounting of Actuators of Valves Design
- *法蘭尺寸：EN1092-1 TYPE 21
- *全流量
Full port I/L/T/X
- *驅動方式：手柄/執行器
Operator: Lever/Actuator



型号：BV4B-(3)4DF-A-PN16



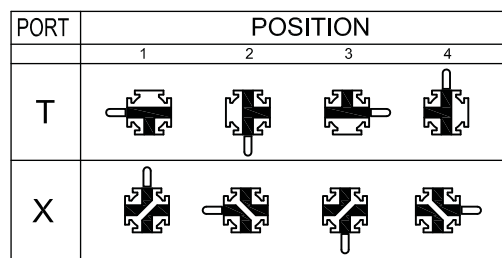
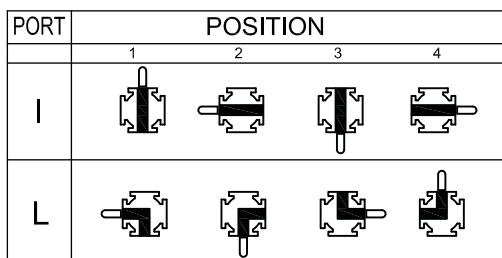
BV4B-3DF-A-PN16三通法蘭球閥流向

PORT	POSITION			
	1	2	3	4
L				
T				

MATERIALS LIST

NO.	PART NAME	MATERIAL
1	BODY	1.4408 / EN1503-1
4	BALL	1.4408 / EN1503-1
5	STEM	SS316
9	END CAP	1.4408 / EN1503-1
11	BODY SEAL	PTFE.
12	SEAT	PTFE.
13	THRUST WASHER	PTFE.
14	STEM PACKING	PTFE.
15	GLAND BUSH	SS304
18	YOKE SLEEVE	PTFE.
19	HANDLE	SS304
21	HANDLE COVER	VINYL GRIP
22	STEM NUT	SS304
23	HANDLE WASHER	SS304
24	HANDLE NUT	SS304
28	LOCKING PAD	SS304(OPTION)
29	BELLEVILLE WASHER	SUS304-CSP
30	TAB WASHER	SS304
31	STEM O-RING	VITON
32	PACKING FOLLOWER	PTFE.+25%GF
33	STOP PIN	SS304
35	BODY BOLT	SS304

BV4B-4DF-A-PN16四通法蘭球閥流向

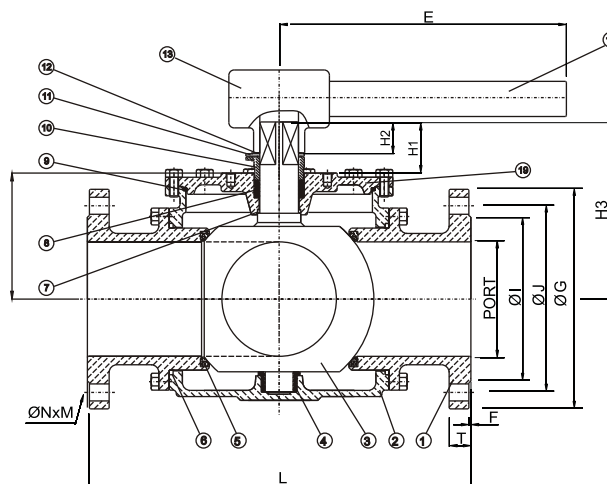
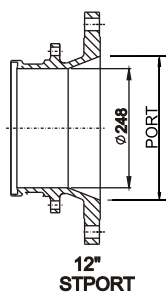
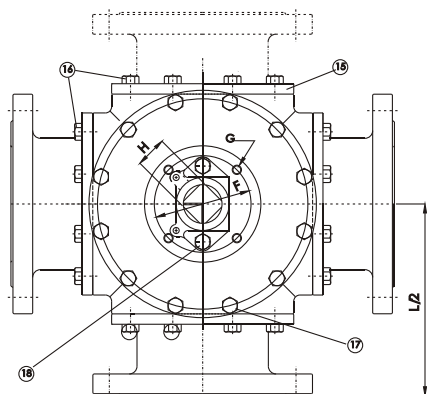


DIMENSIONS

PN16

unit:mm

SIZE	PORT	L	E	H1	H	H4	D	G	J	I	T	F	M	N	Z1	Z2	K1	K2
DN15	16	158	187	9	89	47.8	9	95	65	45	16	2	4	14	6			F04
DN20	20	169	218	11	98	58.2	11	105	75	58	18	2	4	14	7			F05
DN25	25	185	218	11.5	102	64	11	115	85	68	18	2	4	14	7			F05
DN32	32	195	235	15.2	119	79	14	140	100	78	18	2	4	18	9	7	F05	F07
DN40	38	232	235	14.3	127	88.5	14	150	110	88	18	2	4	18	9	7	F05	F07F
DN50	50	253	252	17.8	139	106	17	165	125	102	20	2	4	18	11	9	F07	F10
DN65	65	270	252	17.5	166	117	17	185	145	122	18	2	4	18	11	9	F07	F10
DN80	76	292	252	17.5	170	128	17	200	160	138	20	2	8	18	11	9	F07	F12



DIMENSIONS

PN16

unit:mm

SIZE	PORT	L	E	H1	H2	H3	C	G	J	I	T	F	M	N	K	Z
DN100	100	360	600	70	33	193	27	220	180	158	20	2	8	18	125	M12
DN125	125	418	860	60	36	200	28	250	210	188	22	3	8	18	125	M12
DN150	150	430	1200	63	36	223	36	285	240	212	22	3	8	22	125	M12
DN200	200	532	1500	62	36	263	36	340	295	268	24	3	12	22	125	M12
DN250	250	660	2000	93	59	345	36	405	355	320	26	3	12	26	140	M16
DN300	250	660	2000	93	59	345	36	460	410	378	28	4	12	26	140	M16