

BV4-4DT四通全徑不銹鋼球閥

產品特徵：

SPECIFICATIONS

- *公稱壓力：1/4" ~1-1/2" 1000WOG
Working Pressure: 1/4" ~1-1/2" 1000WOG
 - *適用溫度範圍：-20 ~ 180°C
Temperature Range: -20 ~ 180°C
 - *防爆中軸 Blow-Out-Proof Stem Design
 - *防靜電裝置 Antistatic Device
 - *精密鑄造 Investment Casting
 - *固溶化處理 Solution Treatment
 - *連接形式：內螺紋
End Types: Female Threaded
 - *四閥座 Four Seats
 - *ISO5211直接安裝執行機構平臺設計
ISO5211 Direct-Mounting of Actuators of Valves Design
 - *掛鎖裝置（可選）
Locking Device (option)
 - *全流量 Reduced Bore
- 驅動方式：可裝配氣動執行器和電動執行器



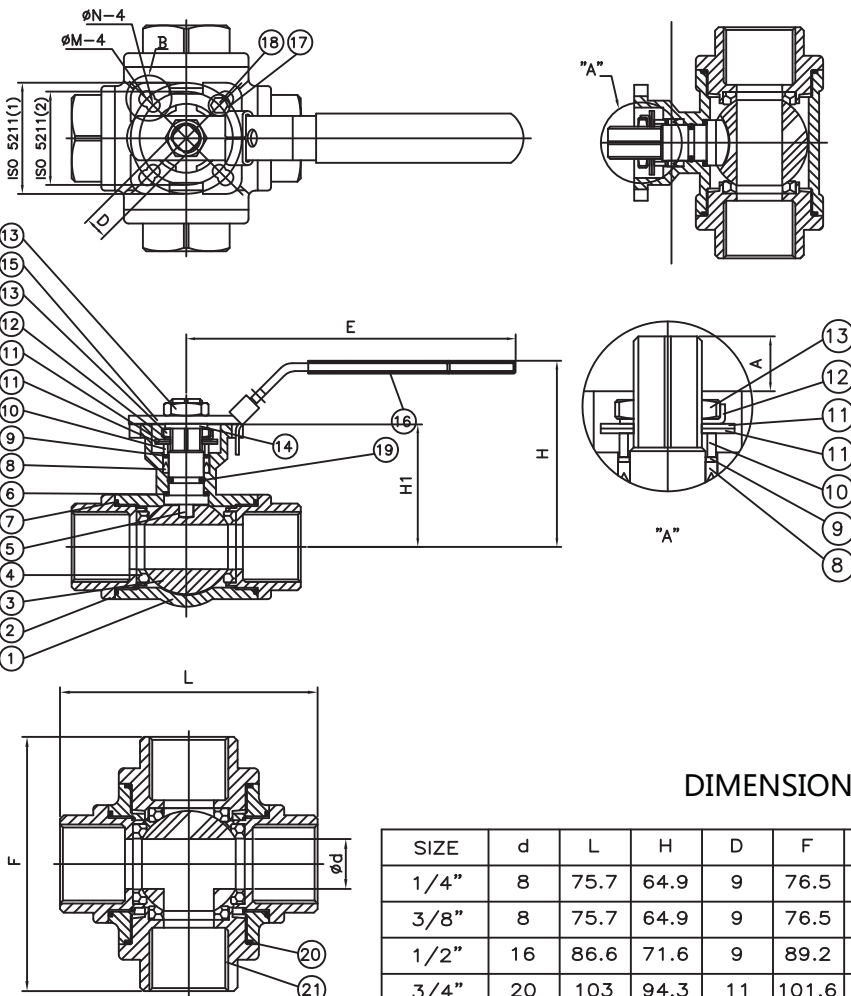
型號：BV4-4DT

PORT TYPE	1	2	3	4
T				
L				
X				

MATERIALS LIST

DRAW NO	PART NAME	MATERIAL
01	BODY	ASTM A351 Gr.CF8M
02	CAP	ASTM A351 Gr.CF8M
03	BALL	ASTM A351 Gr.CF8M
04	BALL SEATS	PTFE
05	STEM	S.S.316
06	THRUST WASHER	PTFE
07	END SEALS	PTFE
08	STEM PACKING	PTFE
09	THRUST WASHER	TFM1600
10	GLAND BUSH	S.S.304
11	BELLEVILLE WASAER	SUS304-CSP
12	STOP	S.S.304
13	HANDLE NUT	S.S.304
14	WASHER	S.S.304
15	HANDLE	S.S.304
16	HANDLE SLEEVE	VINYL GRIP
17	STOPPER	S.S.304
18	SCREN	S.S.304
19	O-RING	VITON
20	END SEALS	PTFE
21	CAP	ASTM A351 Gr.CF8M

DIMENSIONS



SIZE	d	L	H	D	F	A	N	M	E	H1	ISO 5211	
											(1)	(2)
1/4"	8	75.7	64.9	9	76.5	8.2	6	6	132	36.8	F04 42	F03 36
3/8"	8	75.7	64.9	9	76.5	8.2	6	6	132	36.8	F04 42	F03 36
1/2"	16	86.6	71.6	9	89.2	9.0	6	6	132	44.1	F04 42	F03 36
3/4"	20	103	94.3	11	101.6	11.5	6	7	180	55.1	F05 50	F04 42
1"	25	118.2	100	11	115.4	11.5	6	7	180	60.7	F05 50	F04 42
1 1/4"	32	125.8	115.7	14	125.2	15.1	7	9	225	75.2	F07 70	F05 50
1 1/2"	38	149	124.9	14	148.6	15.1	7	9	225	84.4	F07 70	F05 50