

## BV-131DLB三片式全徑不銹鋼加長焊球閥

### 產品特徵：

#### SPECIFICATIONS

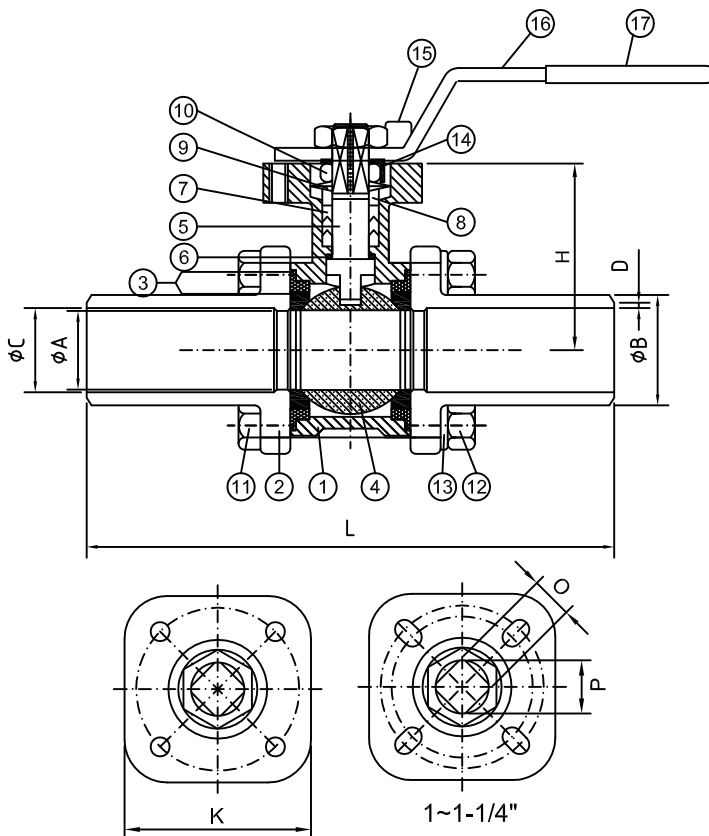
- \*公稱壓力：1/4" ~4" 1000PSI WOG  
Working Pressure: 1/4" ~4" 1000PSI WOG
- \*適用溫度範圍：-20 ~ 180°C  
Temperature Range: -20 ~ 180°C
- \*防爆中軸 Blow-Out-Proof Stem Design
- \*精密鑄造 Investment Casting
- \*固溶化處理 Solution Treatment
- \*防靜電裝置 Antistatic Device
- \*ISO5211直接安裝執行機構平臺設計  
ISO5211 Direct-Mounting of Actuators of Valves Design
- \*連接形式：對焊  
End Types: Butt Weld
- 驅動方式：可裝配氣動執行器和電動執行器



型號：BV-131DT

### MATERIALS LIST

ITEM	PART NAME	MATERIAL		Q'TY
		316	WCB	
1	BODY	CF8M	WCB	1
2	END CAPS	CF8M	WCB	2
3	SEATS	PTFE	PTFE	2
4	BALL	SUS316	SUS304	1
5	STEM	SUS316	SUS304	1
6	GASKET	PTFE&50%SUS		1
7	SEAL	PTFE	PTFE	1
8	PACKING GLAND	SUS304	SUS304	1
9	BELLEVILLE	SUS301	SUS301	2
10	NUT	SUS304	SUS304	1
11	BOLTS	SUS304	SUS304	4
12	BOLT NUTS	SUS304	SUS304	4
13	SPRING WASHERS	SUS304	SUS304	4
14	LOCK WASHER	SUS304	SUS304	1
15	STOPPER	SUS304	SUS304	1
16	HANDLE	SUS304	SUS304	1
17	PLASTIC COVER	PVC	PVC	1



### DIMENSION

ITEM SIZE	A	B	C	D	L	H	ISO 5211	K	O	P
INCH	mm	mm	mm	mm	mm	mm		mm	mm	mm
1/4"	10.0	16.5	10	1.6	225	39.5	F03	36	9	11
3/8"	12.5	17.4	12.5	1.6	225	39.5	F03	36	9	11
1/2"	15.0	22.5	15	1.6	225	39.5	F03/F04	44	9	11
3/4"	20.0	27.2	20	1.6	225	42.5	F03/F04	44	9	11
1"	25.0	33.5	25	1.6	245	50.6	F04/F05	50	11	14
1-1/4"	32.0	42.0	33.8	1.6	255	55.8	F04/F05	50	11	14
1-1/2"	38.0	48.2	39.8	1.6	260	66.5	F05/F07	70	14	18
2"	50.0	60.5	50	1.6	275	74.5	F05/F07	70	14	18
2-1/2"	65.0	77.0	65	2.0	334	113.0	F07/F10	98	17	22
3"	80.0	90.0	80	2.0	354	124.0	F07/F10	98	17	22
4"	100.0	116.0	100	3.5	374	138.0	F10/F12	105	22	28