

## BV-126T二片式高壓球閥

### 產品特徵：

### SPECIFICATIONS

\*公稱壓力：1/4" ~2" 420kgf/cm<sup>2</sup>(BV-126)  
Working Pressure: 1/4" ~2" 6000PSI(BV-126)

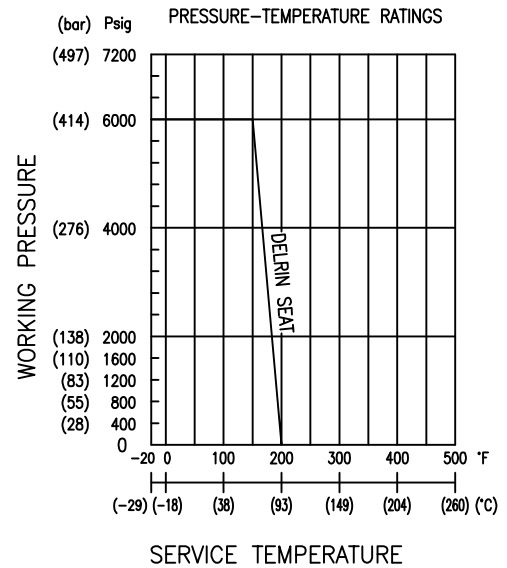
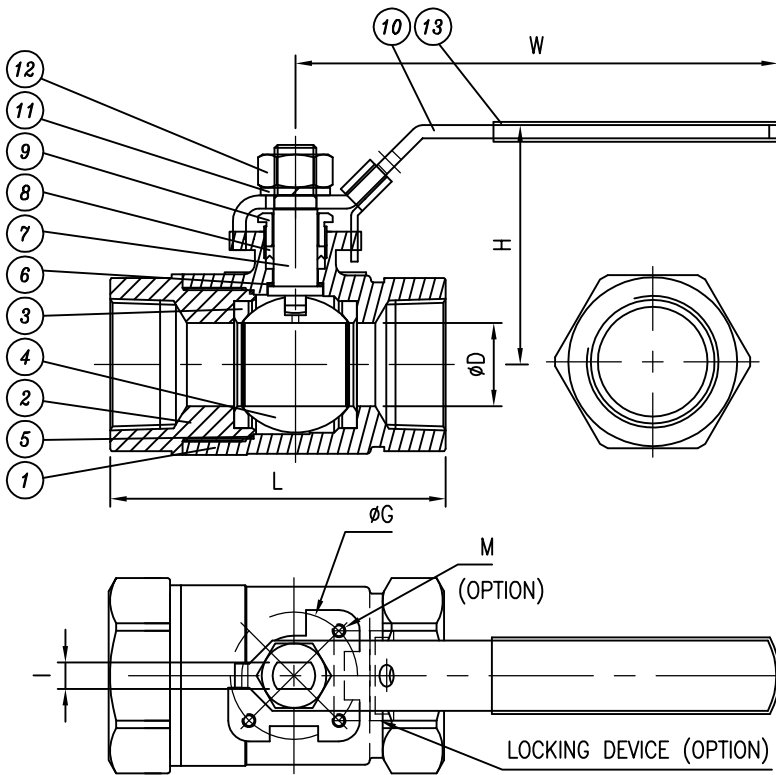
\*適用溫度範圍：-20 ~ 260°C  
Temperature Range: -20 ~ 260°C

\*連接形式：內螺紋  
End Types: Female Threaded

\*防爆中軸設計  
Blow-Out Proof Stem Design



型號：BV-126T



### MATERIALS LIST

| NO. | PARTS         |                    |                   |
|-----|---------------|--------------------|-------------------|
| 1   | BODY          | ASTM A351-CF8M     | ASTM A216-WCB     |
| 2   | END CAP       | ASTM A351-CF8M     | ASTM A216-WCB     |
| 3   | SEAT          | DELRIN             | DELRIN            |
| 4   | BALL          | ASTM A351-CF8M/316 | ASTM A351-CF8/304 |
| 5   | GASKET        | PTFE               | PTFE              |
| 6   | THRUST WASHER | PTFE               | PTFE              |
| 7   | STEM          | ASTM A276-316      | ASTM A276-304     |
| 8   | STEM PACKING  | PTFE               | PTFE              |
| 9   | GLAND         | AISI 304           | AISI 304          |
| 10  | HANDLE        | AISI 304           | ZINC PLATED STEEL |
| 11  | HANDLE WASHER | AISI 304           | AISI 304          |
| 12  | HANDLE NUT    | AISI 304           | AISI 304          |
| 13  | HANDLE COVER  | PVC                | PVC               |

NO.3 OPTION: PEEK

### DIMENSIONS

| SIZE   | ØD |      | L    |      | H   |      | W     |      | I   |      | ØG |      | M  |    |
|--------|----|------|------|------|-----|------|-------|------|-----|------|----|------|----|----|
|        | in | mm   | in   | mm   | in  | mm   | in    | mm   | in  | mm   | in | mm   |    |    |
| 1/4"   | 8  | 0.37 | 9.5  | 2.80 | 71  | 2.34 | 59.5  | 4.25 | 108 | 0.20 | 5  | 1.42 | 36 | M5 |
| 3/8"   | 10 | 0.37 | 9.5  | 2.80 | 71  | 2.34 | 59.5  | 4.25 | 108 | 0.20 | 5  | 1.42 | 36 | M5 |
| 1/2"   | 15 | 0.49 | 12.5 | 3.19 | 81  | 2.34 | 59.5  | 4.25 | 108 | 0.20 | 5  | 1.42 | 36 | M5 |
| 3/4"   | 20 | 0.79 | 20   | 3.78 | 96  | 2.50 | 63.5  | 5.16 | 131 | 0.28 | 7  | 1.65 | 42 | M5 |
| 1"     | 25 | 0.98 | 25   | 4.25 | 108 | 3.00 | 76.2  | 6.57 | 167 | 0.39 | 10 | 1.97 | 50 | M6 |
| 1 1/4" | 32 | 1.26 | 32   | 4.72 | 120 | 3.19 | 81    | 6.57 | 167 | 0.39 | 10 | 1.97 | 50 | M6 |
| 1 1/2" | 40 | 1.50 | 38   | 5.12 | 130 | 4.30 | 109.2 | 8.66 | 220 | 0.47 | 12 | 2.76 | 70 | M8 |
| 2"     | 50 | 1.50 | 38   | 5.91 | 150 | 4.30 | 109.2 | 8.66 | 220 | 0.47 | 12 | 2.76 | 70 | M8 |

Unit:mm