

BV-121T二片式全徑不銹鋼螺紋球閥

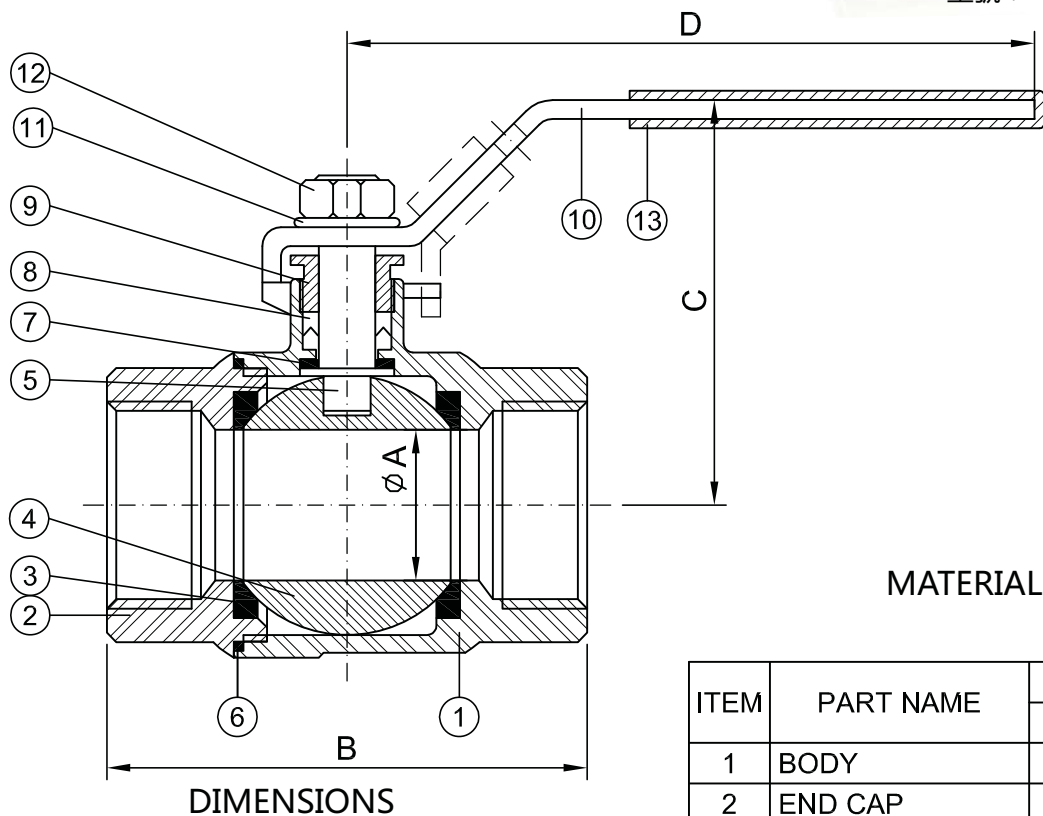
產品特徵：

SPECIFICATIONS

- *公稱壓力：1/4" ~4" 1000PSI WOG
Working Pressure: 1/4" ~4" 1000PSI WOG
- *適用溫度範圍：-20 ~ 180°C
Temperature Range: -20 ~ 180°C
- *防爆中軸 Blow-Out-Proof Stem Design
- *精密鑄造 Investment Casting
- *固溶化處理 Solution Treatment
- *連接形式：內螺紋
End Types: Female Threaded
- *全流量 Full port



型號：BV-121T



SIZE	A	B	C	D
INCH	mm	mm	mm	mm
1/4"	10.0	50	45	100
3/8"	12.5	50	45	100
1/2"	15.0	59	50	100
3/4"	20.0	69	52	103
1"	25.0	79	70	150
1-1/4"	32.0	94	75	150
1-1/2"	38.0	103	85	183
2"	50.0	123	94	183
2-1/2"	65.0	160	135	243
3"	80.0	180	145	243
4"	100.0	230	165	328

MATERIALS LIST

ITEM	PART NAME	MATERIAL		Q'TY
		316	WCB	
1	BODY	CF8M	WCB	1
2	END CAP	CF8M	WCB	1
3	SEATS	PTFE	PTFE	2
4	BALL	SUS316	SUS304	1
5	STEM	SUS316	SUS304	1
6	JOINT GASKET	PTFE	PTFE	1
7	GASKET	PTFE	PTFE	1
8	SEAL	PTFE	PTFE	1
9	PACKING GLAND	SUS304	SUS304	1
10	HANDLE	SUS304	SUS304	1
11	SPRING WASHER	SUS304	SUS304	1
12	LEVER NUT	SUS304	SUS304	1
13	PLASTIC COVER	PVC	PVC	1